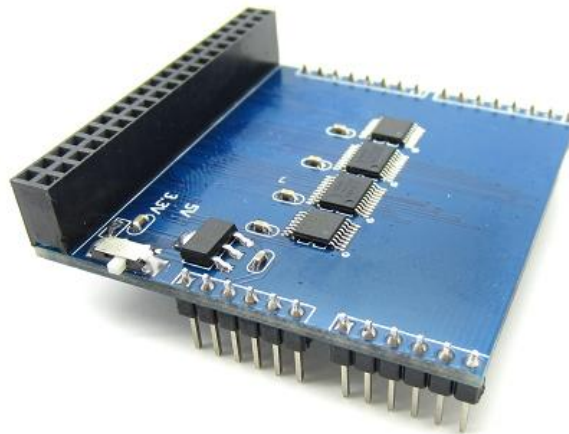


ITDB02 Arduino shield v2.0

Overview

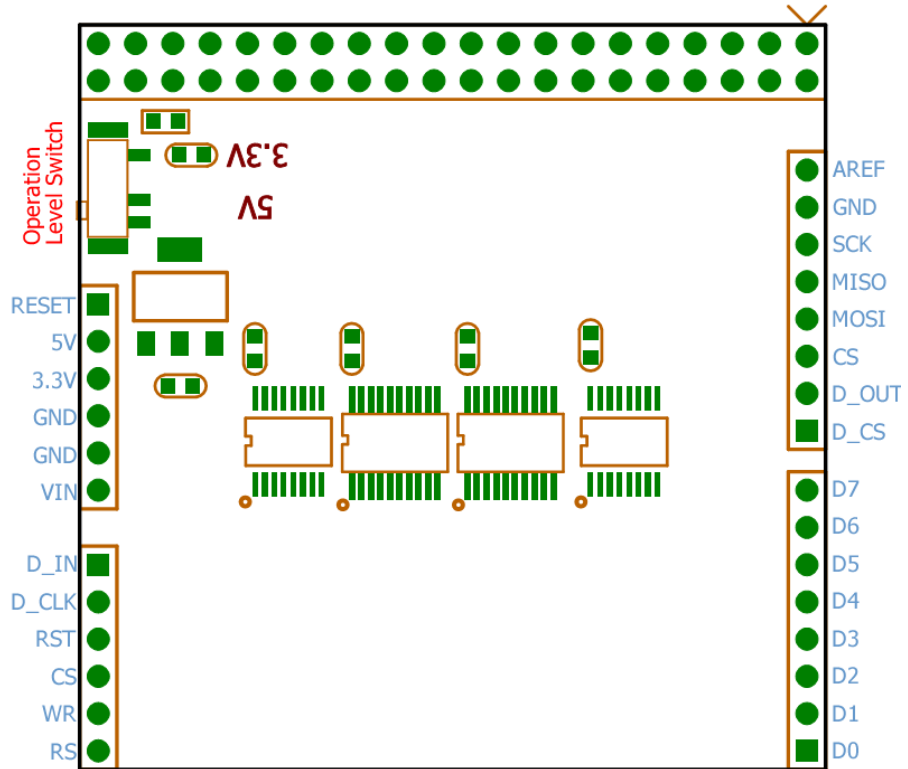
The ITDB02 Arduino shield v2.0 is designed for all the Arduino compatible board. It works in 3.3V/5V voltage level. Now user can directly plug the ITDB02 Arduino shield v2.0 shield stand on the Arduino and other compatible board.



Basic features

- Arduino compatible.
- Touch or SD card expand
- Arduino library compatible

Hardware



Pin of Arduino	With ITDB02	
5V	VCC	
3V3	LED_A	RD
GND	GND	
D10	SD_CS	-
D11	SD_IN	-
D12	SD_OUT	-
D13	SD_CLK	-
D0	DB8	-
D1	DB9	-
D2	DB10	-
D3	DB11	-
D4	DB12	
D5	DB13	
D6	DB14	
D7	DB15	
A5	RS	
A4	WR	

A3	CS	
A2	RST	
A1	D_CLK	
D8	D_CS	
A0	D_DIN	
D9	D_DOUT	

Software



We will provide all Arduino libraries for you, you can download the latest library in the product page or <http://henningkarlsen.com/electronics/library.php?id=40>

Links and References

- ITead Studio Site: iteadstudio.com

Revision History

Rev.	Description	Release date
v1.0	Initial version	2011-04-13
V1.1	Updae for v2.0 version	2012-04 -13