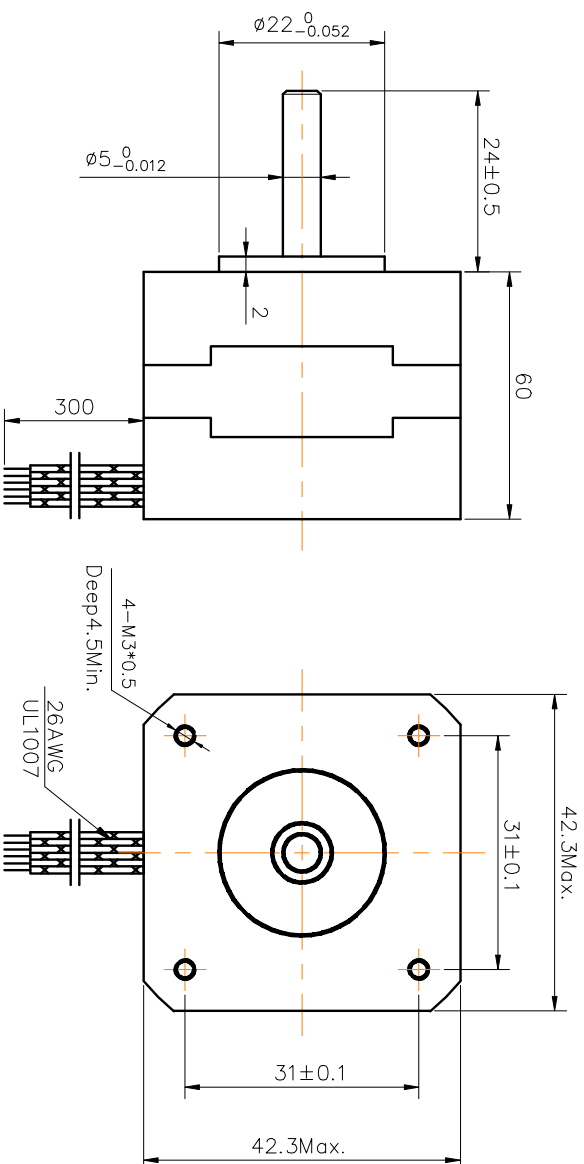
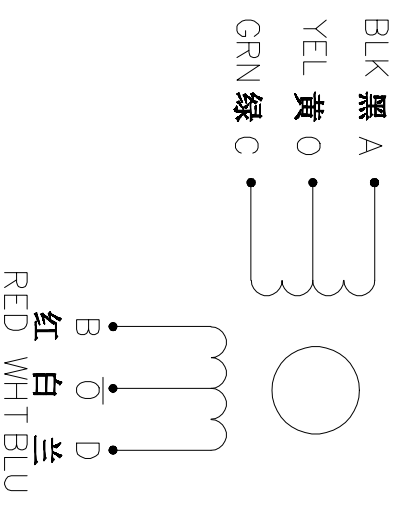


Dimension:
Unit=mm



Wiring Diagram:



Specifications:

相数	Phase	4	Comment
步距角	Step Angle	1.8	deg.
电压	Voltage	7.2	V
相电流	Current	1.2	A
相电阻	Resistance	6	Ω
相电感	Inductance	7	mH
静力矩	Holding Torque	6.5	kg:cm
绝缘等级	Insulation Class	B	
重量	Mass	0.5	kg

Title:		Specification		JK42HS60-1206 (GD42STH60-1206)	
REV.	QTY.	No.	SIG.	DATE	
DESIGN			STD.		
CHECK					
PROC.			APPR.		
PAGE: 1			OF 1 PAGES		
JKM					